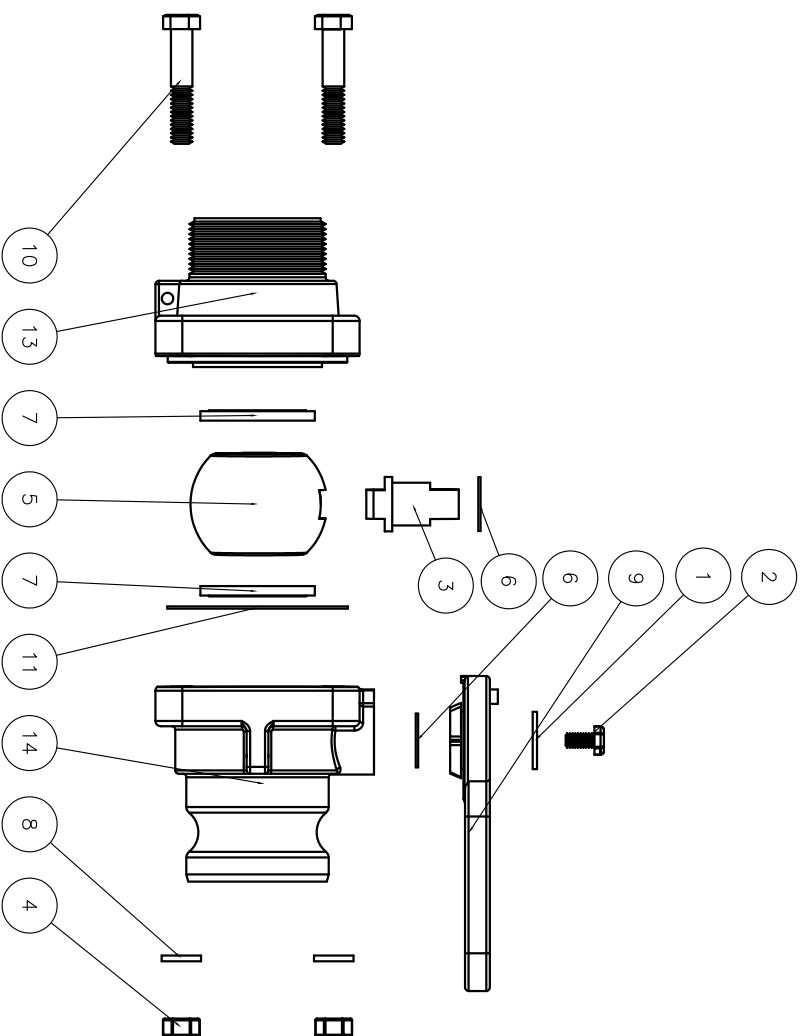
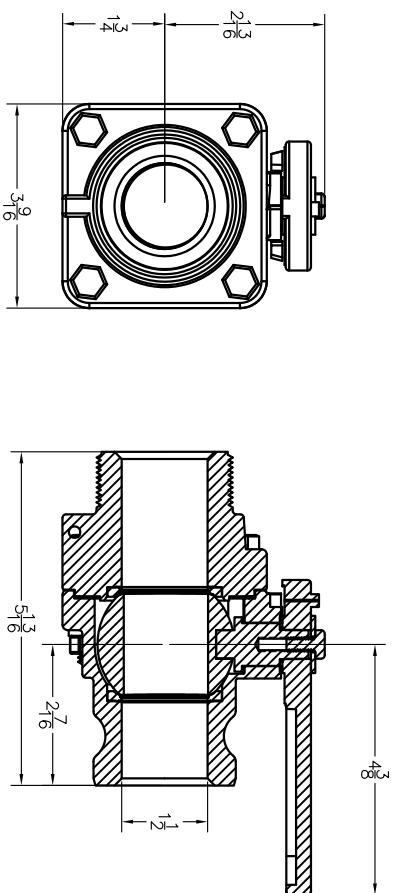


Parts List

ITEM	QTY	PART NO.	DESCRIPTION
1	1	V20021	HANDLE WASHER
2	1	V20020	HANDLE BOLT
3	1	VS20151	STEM
4	4	V20019	3/8" HEX NUT
5	1	VS20255	BALL
6	2	V20060	THRUST BEARING
7	2	VS20258A	BALL SEAT
8	4	V20018	3/8" LOCKWASHER
9	1	VS20152SH	HANDLE
10	4	V20010SS	3/8-16 X 2" HHCS
11	1	V21204	END PLATE GASKET
13	1	VSMT20256	2" MALE NPT E/P
14	1	VF20254	Body



THIS DRAWING AND ALL INFORMATION CONTAINED HEREON ARE THE EXCLUSIVE PROPERTY OF BANJO CORPORATION. NO REPRODUCTION OR TRANSMISSION IN ANY FORM OR BY ANY MEANS IS PERMITTED WITHOUT THE WRITTEN AND SIGNED CONSENT OF BANJO CORPORATION.



BANJO CORPORATION
 150 BANJO DR. • CRAWFORDSVILLE, IN 47933

PART NO. VS/FMT200

TITLE 2" MALE ADAPTER X 2" MALE NPT